



UV	MEDIUM PRESSURE	SPA	COMMERCIAL	← Applications
----	-----------------	-----	------------	----------------

- Spa Disinfection
- Hydrotherapy pool disinfection

← Main characteristics

- Medium pressure UV system for commercial spa and small pool disinfection



The UVASPA SS is designed to offer commercial spas and small pools a cost effective medium pressure UV system for disinfection and improved water quality.

MAIN FEATURES

- Medium pressure UV
- Effective against *Cryptosporidium* and *Giardia*
- Reduces chloramines
- Easy manual thimble cleaning arrangement
- Wall mounted control panel
- Simple to install and operate with minimal space requirements
- Automatic low power option

UV TECHNOLOGY: UVASPA SS

The UVASPA SS medium pressure UV system is designed for disinfection of commercial spas and small pools. Medium pressure UV systems are particularly effective against the highly infectious *Cryptosporidium Parvum* and *Giardia Lamblia* species which are virtually unaffected by the use of chlorine alone.

As UV is not a residual disinfectant, a chlorine residual is required to prevent cross infection between bathers. High proportions of combined chlorine products (chloramines) in circulating water are destroyed by the UV irradiation process. Removal of these compounds greatly improve bathing water quality, reducing skin and eye irritation and removing the common and unpleasant "swimming pool" odour.

HOW IT WORKS

The medium pressure UV lamp is powered by an magnetic ballast housed within a separate wall mounted control panel. The wide spectral distribution of the Triogen lamp produces the simultaneous treatment of several aspects of the circulating pool water as described above.

The UV reactor design allows easy withdrawal of the lamp and thimble assembly as one unit for periodic cleaning of the thimble external surface. No special tools are required to carry out thimble cleaning and can easily be done by pool operator.



TECHNICAL DATA

UVASPA Model	Flow Rates ⁽¹⁾		Power Supply	Supply Rating
	m ³ /h	US gpm	v/ph/Hz	kW
UVASPA SS 15	15	65	220-230/1/50	1.6
UVASPA SS 25	25	110	380-415/3/50	3.1
UVASPA SS 50	50	220	380-415/3/50	3.1
UVASPA SS 75	75	330	380-415/3/50	3.1

(1) Flow rates based on a dose of 60mj/cm² at end of lamp life

► Standards

- CE Approval
- BS10 Table D
- ANSI 150

► Remote controls and signals

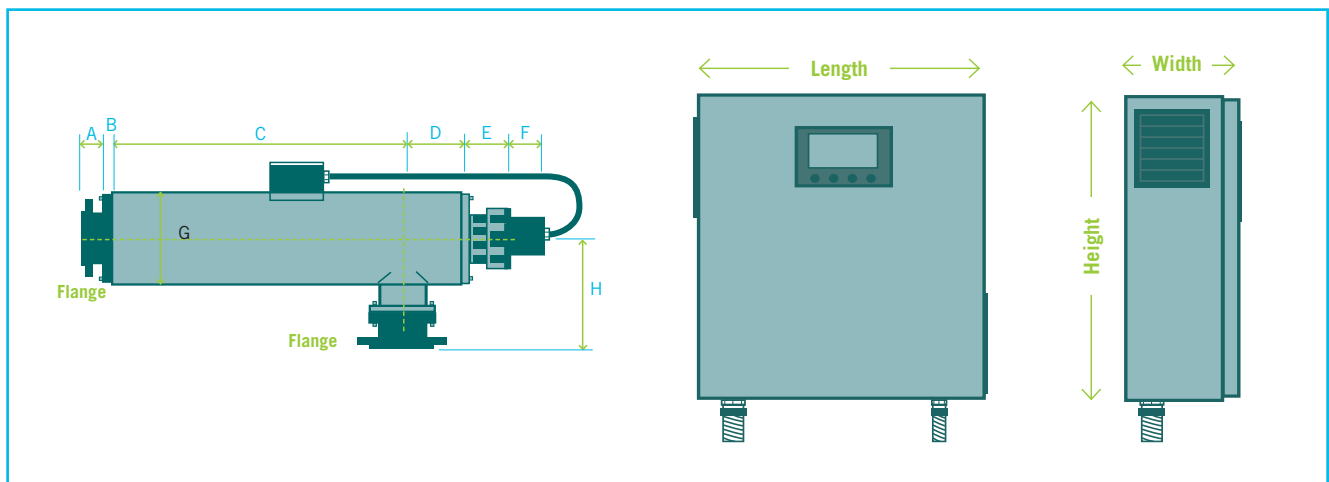
- **Digital inputs:** lamp stop-start, water flow interlock
- **Digital outputs:** system healthy, prealarm, system fault

► Materials

- **Reactor Vessel:** 316L stainless steel
- **Flanges:** uPVC sub flanges with galvanised steel backing rings (BS10 table D or ANSI 150 flanges available)
- **Lamp:** high purity quartz
- **Thimble:** high purity quartz
- **Panel:** polyester coated mild steel

DIMENSIONS

UVASPA Model	Reactor Dimensions (mm/inch)								Flange (inch)	Panel: l x h x w	
	A	B	C	D	E	F	G	H		mm	inch
UVASPA SS 15	40/1.6	20/0.79	685/27	100/3.9	110/4.33	75/2.95	100/3.9	160/6.3	2	500 x 500 x 200	19.7 x 19.7 x 7.9
UVASPA SS 25	56/2.2	20/0.79	685/27	100/3.9	110/4.33	75/2.95	150/5.9	196/7.7	3	500 x 500 x 200	19.7 x 19.7 x 7.9
UVASPA SS 50	56/2.2	20/0.79	685/27	100/3.9	110/4.33	75/2.95	100/3.9	176/6.9	3	500 x 500 x 200	19.7 x 19.7 x 7.9
UVASPA SS 75	65/2.56	20/0.79	685/27	100/3.9	110/4.33	75/2.95	200/7.8	255/10	4	500 x 500 x 200	19.7 x 19.7 x 7.9



Contacts

www.TRIOGEN.COM
www.DEGREMONTECHNOLOGIES.COM

Ozonia Triogen UK	• info-triogen@degtec.com	• + 44 141 810 4861
Ozonia International UV	• info-ozoniaFR@degtec.com	• + 33 1 46 253 950
Ozonia France	• info-ozoniaFR@degtec.com	• + 33 1 46 253 950
Ozonia Switzerland	• info-ozoniaCH@degtec.com	• + 41 44 801 8511
Ozonia North America	• info-ozonia@degtec.com	• + 1 201 794 3100
Ozonia Russia OOO	• info-ozoniaRU@degtec.com	• + 7 831 220 3256
Ozonia Korea	• info-ozoniaKR@degtec.com	• + 82 31 701 9036
Ozonia China	• info-china@degtec.com	• + 86 10 659 73 860
Ozonia Japan	• info-japan@degtec.com	• + 81 3 544 46 361

Your local distributor :